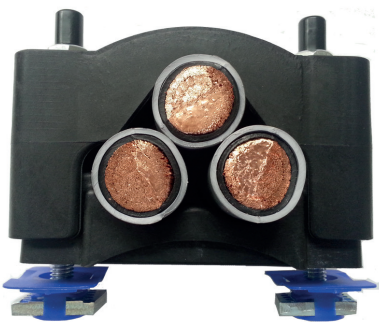
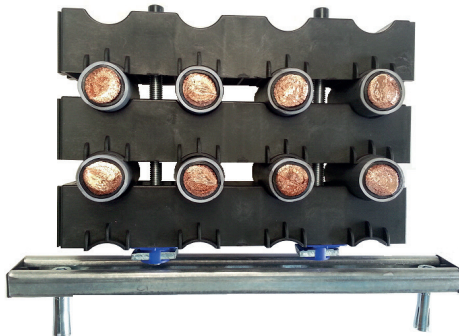




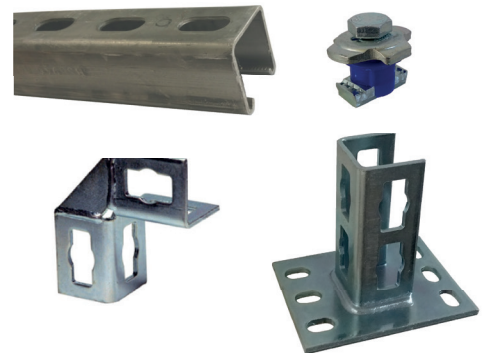
FOX CLAMPS®



FOX-TRI / FOX-SI CABLE CLAMPS



FOX-UNI CABLE BLOCKS



UNISTRUT / KWIKSTRUT

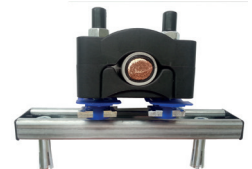
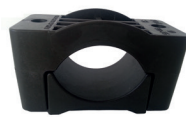


FOX CABLE CLAMPS (-SETS)

Model FOX-SI (Single)

Short circuit proof Installation of one (1) single- or multi-conductor cable or tube

Type	Cable Ø (mm)	Single clamp	+ Threaded rod set (Galvanised)	++Channel nuts (Galvanised)	+++Channel set (Galvanised)
		Part number	Part number	Part number	Part number
FOX-SI Ø 15-24	15 - 24	2001-4-015-024	2009-1-015-024	2009-4-015-024	2009-6-015-024
FOX-SI Ø 24-38	24 - 38	2001-4-024-038	2009-1-024-038	2009-4-024-038	2009-6-024-038
FOX-SI Ø 36-52	36 - 52	2001-4-036-052	2009-1-036-052	2009-4-036-052	2009-6-036-052
FOX-SI Ø 50-75	50 - 75	2001-4-050-075	2009-1-050-075	2009-4-050-075	2009-6-050-075
FOX-SI Ø 75-100	75 - 100	2001-4-075-100	2009-1-075-100	2009-4-075-100	2009-6-075-100
FOX-SI Ø 100-130	100 - 130	2001-4-100-130	2009-1-100-130	2009-4-100-130	2009-6-100-130
FOX-SI Ø 130-170	130 - 170	2001-4-130-170	2009-1-130-170	2009-4-130-170	2009-6-130-170



Features/ information

- Temperature range: -40 to 120° C (225°C) momentarily
- Classification: Burning: S3; Smoke: SR2; Dripping: ST-2
- Flame resistance: UL94 V-0 class 3, Halogen-free
- Resistance: Oils, Radio activity, Salt water, Ozone, Fuels, Alkalis, UV rays
- Mounting torque: max. 5-8 Nm
- Mechanical strength: up to 90,000 N
- All models SI stackable (FOX-SI Ø 130-170 excluded)
- Certified: according NEN-EN-IEC 61914: 2016

+ Threaded rod set
(Hot Dip Galvanised)
Part Number

2009-3-XXX-XXX

++Channel nuts
(Hot Dip Galvanised)
Part Number

2009-5-XXX-XXX

+++Channel set
(Hot Dip Galvanised)
Part Number

2009-8-XXX-XXX

+ Threaded rod set
(Stainless Steel)
Part Number

2009-2-XXX-XXX

++Channel nuts
(Stainless Steel)
Part Number

2009-7-XXX-XXX

+++Channel set
(Stainless Steel)
Part Number

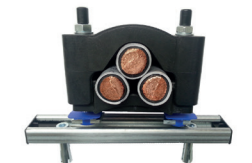
2009-9-XXX-XXX

Model FOX-TRI (Triple)

Short circuit proof Installation of three (3) single- or multi-conductor cables or tubes

Type	Cable Ø (mm)	Triple Clamp	+ Threaded rod set (Galvanised)	++Channel nuts (Galvanised)	+++Channel set (Galvanised)
		Part number	Part number	Part number	Part number
FOX-TRI Ø 26-39	26-39 *	2001-3-026-039	2009-1-026-039	2009-4-026-039	2009-6-026-039
FOX-TRI Ø 39-54	39-54	2001-3-039-054	2009-1-039-054	2009-4-039-054	2009-6-039-054
FOX-TRI Ø 53-67	53-67	2001-3-053-067	2009-1-053-067	2009-4-053-067	2009-6-053-067
FOX-TRI Ø 67-90	67-90	2001-3-067-090	2009-1-067-090	2009-4-067-090	2009-6-067-090
FOX-TRI Ø 90-118	90-118	2001-3-090-118	2009-1-090-118	2009-4-090-118	2009-6-090-118
FOX-TRI Ø 118-150	118-150	2001-3-118-150	2009-1-118-150	2009-4-118-150	2009-6-118-150

* expandable to 23-39 mm



Features/ information

- Material: black Polyamide, Fibreglass-Reinforced
- Temperature range: -40 to 120° C (225°C) momentarily
- Classification: Burning: S3; Smoke: SR2; Dripping: ST-2
- Flame resistance: UL94 V-0 class 3, Halogen-free
- Resistance: Oils, Radio activity, Salt water, Ozone, Fuels, Alkalis, UV rays
- Mounting torque: max. 5-8 Nm
- Mechanical strength: up to 85,000 N
- Models FOX-TRI Ø 26-39 and 39-54 are stackable
- Certified: according NEN-EN-IEC 61914: 2016

+ Threaded rod set
(Hot Dip Galvanised)
Part Number

2009-3-XXX-XXX

++Channel nuts
(Hot Dip Galvanised)
Part Number

2009-5-XXX-XXX

+++Channel set
(Hot Dip Galvanised)
Part Number

2009-8-XXX-XXX

+ Threaded rod set
(Stainless Steel)
Part Number

2009-2-XXX-XXX

++Channel nuts
(Stainless Steel)
Part Number

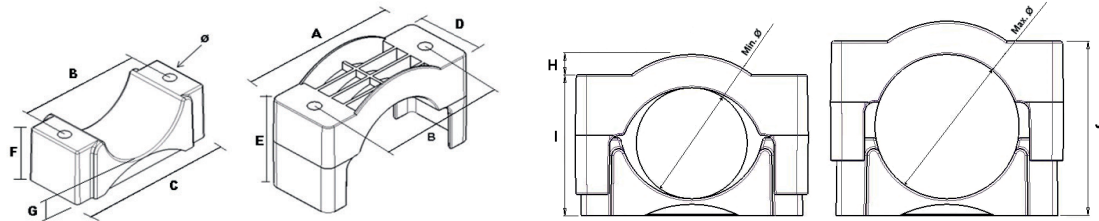
2009-7-XXX-XXX

+++Channel set
(Stainless Steel)
Part Number

2009-9-XXX-XXX

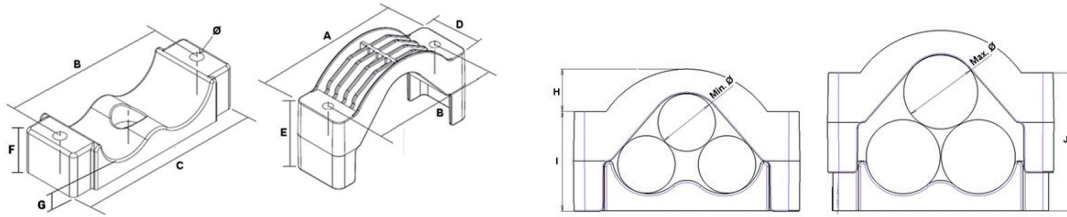


FOX CABLE CLAMPS MODEL FOX-SI



Model	Cable Ø	A	B	C	D	E	F	G	H	I	J	Ø
FOX-SI Ø 15-24	15-24 mm	84,00	54,00	78,00	44,00	38,00	20,00	12,00	6,00	38,00	47,00	10,50
FOX-SI Ø 24-38	24-38 mm	92,00	60,00	85,00	55,00	44,00	22,00	10,00	7,00	44,00	58,00	12,50
FOX-SI Ø 36-52	36-52 mm	108,00	78,00	101,00	60,00	52,00	25,00	9,00	7,00	52,00	68,00	12,50
FOX-SI Ø 50-75	50-75 mm	130,00	100,00	122,00	60,00	67,00	40,00	12,00	8,00	68,00	95,00	12,50
FOX-SI Ø 75-100	75-100 mm	168,00	132,00	161,00	67,00	94,00	60,00	20,00	13,00	103,00	130,00	12,50
FOX-SI Ø 100-130	100-130 mm	208,00	166,00	200,00	67,00	108,00	70,00	15,00	10,00	123,00	154,00	12,50
FOX-SI Ø 130-170	130-170 mm	274,00	220,00	265,00	90,00	140,00	95,00	22,00	43,00	154,00	205,00	17,00

FOX CABLE CLAMPS MODEL FOX-TRI



Model	Cable Ø	A	B	C	D	E	F	G	H	I	J	Ø
FOX-TRI-Ø 26-39	23-39 mm	140,00	108,00	131,00	58,00	70,00	35,00	12,00	10,00	70,00	95,00	12,50
FOX-TRI Ø 39-54	39-54 mm	170,00	138,00	161,00	70,00	95,00	40,00	16,50	15,00	95,00	129,00	12,50
FOX-TRI Ø 53-67	53-67 mm	205,00	168,00	195,00	70,00	105,50	45,00	15,00	23,50	105,50	140,00	12,50
FOX-TRI Ø 67-90	67-90 mm	256,00	215,00	244,00	85,00	144,00	71,50	41,50	41,80	144,00	199,50	17,00
FOX-TRI Ø 90-118	90-118 mm	321,00	270,00	307,00	90,00	180,00	88,50	44,50	53,20	180,00	246,40	17,00
FOX-TRI Ø 118-150	118-150 mm	400,00	340,00	384,00	100,00	211,00	109,50	49,50	95,40	211,00	285,90	17,00

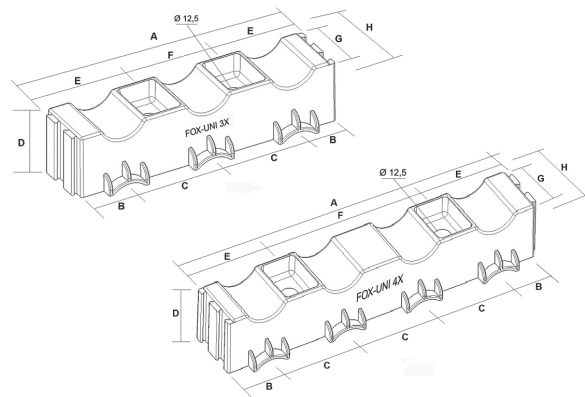
FOX CABLE BLOCKS MODEL FOX-UNI

Model FOX-UNI (Universal)

Installation of single or multi-conductor cables/ tubes Ø 15-49 mm

Features/ information

- Material: black Polyamide, Fibreglass-Reinforced
- Temperature range: -40 to 120° C (225°C) momentarily
- Classification: Burning: S3; Smoke: SR2; Dripping: ST-2
- Flame resistance: UL94 V-0 class 3, Halogen-free
- Resistance: Oils, Radio activity, Salt water, Ozone, Fuels, Alkalis, UV rays
- Mounting torque: max. 5-8 Nm
- Connectable by means of a double dovetail joint
- Mechanical strength: up to 54,000 N
- Certified: according NEN-EN-IEC 61914: 2016



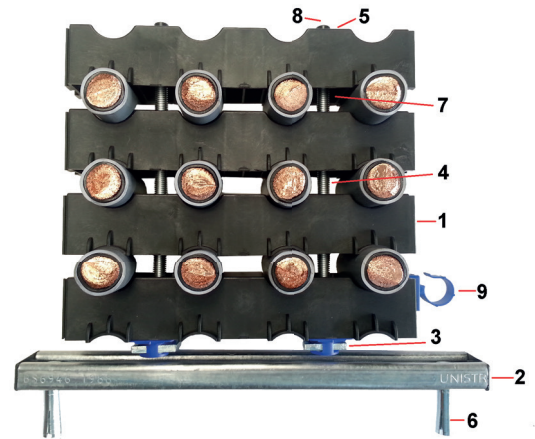
Model	Part number	A	B	C	D	E	F	G	H	Ø
FOX-UNI 3X Ø 15-34	2002-3-015-034	196	32	64	45	64	64	44	60	12,5
FOX-UNI 4X Ø 15-34	2002-4-015-034	260	32	64	45	64	128	44	60	12,5
FOX-UNI 3X Ø 30-49	2002-3-030-049	265	43,5	87	63	87	87	44	60	12,5
FOX-UNI 4X Ø 30-49	2002-4-030-049	352	43,5	87	63	87	174	44	60	12,5

FOX-UNI CABLE BLOCK (-SETS)

The set consists of:

1. FOX-UNI Ø 15-34 / 30-49 Cable Block
2. Unistrut (41x21mm) channel L=350-450 mm
3. Kwikstrut channel nut
4. Threaded rods on length/rod connectors
5. Nuts and washers
6. Nail plug set (incl. washers and bolts)
7. At multiple layers, we use rod connectors for fast and easy installation. Also for later expansion.
8. Protective cap for threaded rods
9. Optional: AD Ø 19-25 clamp for extra cable/tube.

2 through 7 made of high-quality Galvanised Steel, optionally:
Hot-Dip Galvanised Steel, or Stainless Steel. Packed separately, per type.
Non-conformities and combinations reserved.



Below you will find an overview of the standard available sets.

We are also able to supply sets in different compositions e.g. horizontally coupled. Have a look at www.fox-clamps.com

FOX-UNI 3X Cable Ø 15 - 20 mm

Cables	Layers	Part number
3	1	2006-1-015-020
6	2	2006-2-015-020
9	3	2006-3-015-020
12	4	2006-4-015-020
15	5	2006-5-015-020

FOX-UNI 3X Cable Ø 21 - 34 mm

Cables	Layers	Part number
3	1	2006-1-021-034
6	2	2006-2-021-034
9	3	2006-3-021-034
12	4	2006-4-021-034
15	5	2006-5-021-034

FOX-UNI 4X Cable Ø 15-20 mm

Cables	Layers	Part number
4	1	2007-1-015-020
8	2	2007-2-015-020
12	3	2007-3-015-020
16	4	2007-4-015-020
20	5	2007-5-015-020

FOX-UNI 4X Cable Ø 21 - 34 mm

Cables	Layers	Part number
4	1	2007-1-021-034
8	2	2007-2-021-034
12	3	2007-3-021-034
16	4	2007-4-021-034
20	5	2007-5-021-034

FOX-UNI 3X Cable Ø 30-40 mm

Cables	Layers	Part number
3	1	2004-1-030-040
6	2	2004-2-030-040
9	3	2004-3-030-040
12	4	2004-4-030-040
15	5	2004-5-030-040

FOX-UNI 3X Cable Ø 41-49 mm

Cables	Layers	Part number
3	1	2004-1-041-049
6	2	2004-2-041-049
9	3	2004-3-041-049
12	4	2004-4-041-049
15	5	2004-5-041-049

FOX-UNI 4X Cable Ø 30-40 mm

Cables	Layers	Part number
3	1	2008-1-030-040
6	2	2008-2-030-040
9	3	2008-3-030-040
12	4	2008-4-030-040
15	5	2008-5-030-040

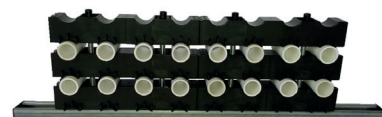
FOX-UNI 4X Cable Ø 41-49 mm

Cables	Layers	Part number
3	1	2008-1-041-049
6	2	2008-2-041-049
9	3	2008-3-041-049
12	4	2008-4-041-049
15	5	2008-5-041-049

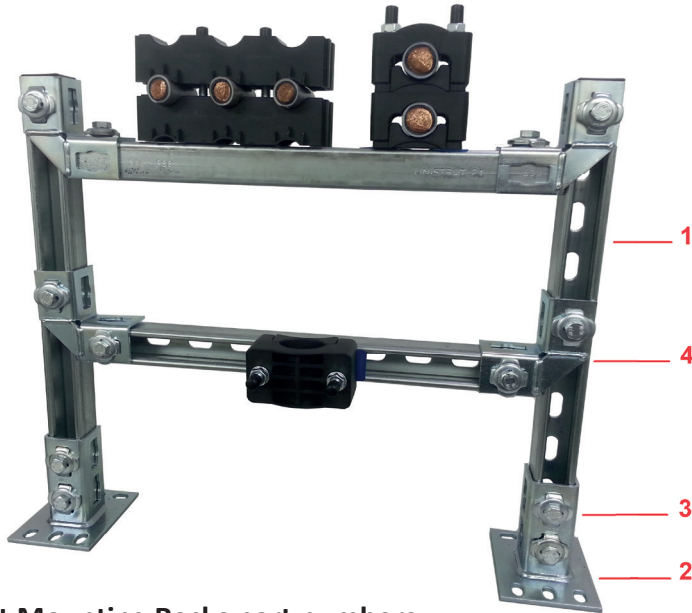
** Specials available: for example sets - 6 cables, 7, 8 cables or multiple of these next to each other.

Pricing and sales conditions on request available

Example picture: 2 layers of 8 cables each



Unistrut® Mounting Racks



The set consists off:

- 1) Channel, Unistrut P1000T (slotted) on length
Choose width and height of rack (see below)
- 2) Baseplate (Kwikstrut)
- 3) Uni lock locknut (Kwikstrut)
- 4) Angle fitting, 90° (Kwikstrut)

Unistrut Mounting Racks part numbers

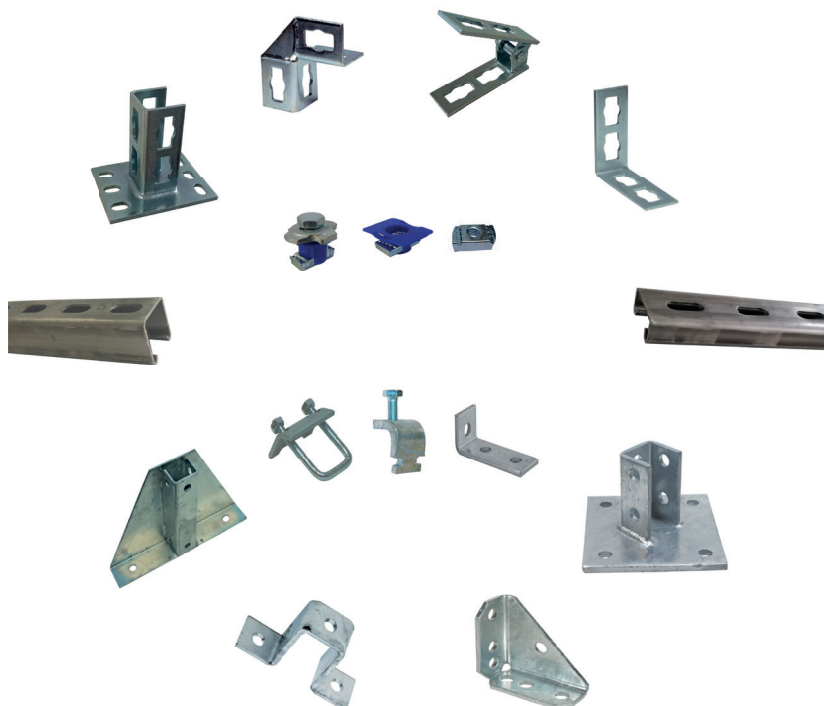
Part number build-up: 2024-X-XX-XXX-X

- X: 1= Galvanised / 2= Stainless Steel / 3= Hot Dip Galvanised
- XX: Choose height of rack. For example. -05=500 mm / -15=1500 mm
- XXX: Choose width rack (horizontal.) For example. -050= 500 mm / -150= 1500 mm
- X: Choose amount of horizontals the example of picture is 2 pcs

Example: Rack galvanised, height= 1000 mm, Width: 1500 mm, 2 layers; will be part nr. 2024-1-10-150-2

Unistrut® Kwikstrut

Please visit www.fox-clamps.com for our complete catalogue or contact us: sales@fox-clamps.com





General

FOX Clamps, part of Adinco (1933), is one of the leading manufacturers of a complete range of high-quality cable clamps/ - blocks & Unistrut materials.

Quality

FOX Cable clamps/ - blocks are among the strongest cable clamps around the world. Mechanical strength up to 90.000N.

Advantages

Efficient calculation & - job preparation, quick mounting & implementation, logistics (total package at one supplier).

Our core values

- We keep our commitments in quality and on time delivery.
- We love open and fair business.
- We recommend solution-oriented.
- We are clear and keep direct communication.

Call or mail us for questions or quotes. We will be happy to help you.
+31 (0) 345 596 000 / sales@fox-clamps.com

Other products Adinco:



Electrical components

- Circuit Breakers
- Thermostats
- Electric motors (<200 Watt)
- Water detection
- Tachometers



Instruments

- Flow meters
- Flow switches
- Level sensors
- Level switches
- Contollers

Check our website www.adinco.nl or call us at +31 (0) 345 596 000



Poppenbouwing 54 - 4191 NZ Geldermalsen - The Netherlands
tel.: +31 345 59 60 00 - fax: +31 345 59 60 01 - e-mail: sales@fox-clamps.com

www.fox-clamps.com